

Spare parts list

Slatted floor mixer PORCO

for pigsties

Typ: S-70/100/130

Slatted floor mixer TORRO

for cowsheds

Typ: R-70/100/130/160

Construction year: from 12/2000

Prices valid: from 06/2011

RECK

Agrartechnik

Reck-Technik GmbH & Co. KG

Reckstraße 1-5

88422 Betzenweiler

Telefon +49 73 74 18-82

Telefon +49 73 74 18-13

kontakt@reck-agrartechnik.de

www.reck-agrartechnik.de

No.	Designation	Quantity per machine	Sparte part number
1	Traverse bar for sword length 700mm and 1000mm	1	100.000.399
	Traverse bar for sword length 1300mm		100.000.400
	Traverse bar for sword length 1600mm		100.000.401
2	Hexagon bolt DIN 931 - M10x75, galvanized	3	100.000.402
3	Pulley Ø 40	2	100.000.268
4	Plastic handle Ø21	4	100.000.262
5	Hexagon bolt DIN 933 - M12x20, galvanized	2	100.000.403
6	Hexagon nut DIN 985 - M10, galvanized	4	100.000.404
7	Plastic distance piece Ø20xØ10,5x20, black	4	100.000.405
8	Pulley Ø 60	1	100.000.263
9	Sticker: Operation and safety	1	100.000.266
10	Safety cable winch 350kg	1	100.000.267
11	Plastic plug F 60x20x2, black	1	100.000.406
12	Spring ring DIN 127 - A8, galvanized	2	100.000.206
13	Hexagon bolt DIN 933 - M8x16, galvanized	2	100.000.205
14	Nirosta wire rope Ø4mm - 3 m long (for slatted floor mixer up to 70 cm)	1	100.000.264
	Nirosta wire rope Ø4mm - 5 m long (for slatted floor mixer from 70 cm)		100.000.265
15	Motor holding bow	1	100.000.407
16	Hexagon bolt DIN 933 - M10x35, galvanized	1	100.000.408
17	Hexagon bolt Din 933 - M12x45, galvanized	4	100.000.409
18	Disc DIN 7349 - 13, galvanized	4	100.000.410
19	3-phase-motor model B5, with switch, 4,0 kw (5,5 HP)	1	100.000.374
	3-phase-motor model B5, with switch, 5,5 kw (7,5 HP)		100.000.271
	3-phase-motor model B5, with switch, 7,5 kw (10,0 HP)		100.000.272
	3-phase-motor model B5, with switch, 11,0 kw (15,0 HP)		100.000.273
20	Sticker: arrow rotating direction, yellow	1	100.000.270
21	Reverse motor circuit-breaker for 4,0 kW (5,5PS) or 5,5kW(7,5HP)	1	100.000.411
	Reverse star triangle motor circuit-breaker for 7,5kW(10,0HP)		100.000.412
	Reverse star triangle motor circuit-breaker for 11,0kW(15,0HP)		100.000.413
ohne Bild	Switching element (MEI) for 4,0kW (5,5HP)	1	100.000.946
	Switching element (MEI) for 5,5kW (7,5HP)		100.000.947
	Switching element (MEI) for 7,5kW (10,0HP)		100.000.948
	Switching element (MEI) for 11,0kW (15,0HP)		100.000.949
22	Motor console	1	100.000.414
23	Hexagon bolt DIN 933 - M10x14, galvanized	2	100.000.415
24	Speed nut ST 4,8 yellow, galvanized	4	100.000.416
25	Fillister head self-tapping screw DIN 7981 - 4,8x19, galvanized	4	100.000.417
26	Covering plate (back) with recess	1	100.000.269
27	Wing screw DIN 316 - M12x25, galvanized	1	100.000.418
28	Covering plate (operation side) with opening	1	100.000.275
29	Hexagon bolt DIN 933 - M6x12, galvanized	2	100.000.419
30	Cover flap	1	100.000.276
31	Hexagon nut DIN 985 - M6, galvanized	2	100.000.421
32	Hexagon nut DIN 934 - M12, galvanized	4	100.000.203
33	Spring ring DIN 127 - A12, galvanized	4	100.000.202
34	Wing screw DIN 316 - M12x16, galvanized	1	100.000.387
35	Depth adjustment ring	1	100.000.388

Spare parts list

Slatted floor mixer PORCO

for pigsties

Typ: S-70/100/130

Slatted floor mixer TORRO

for cowsheds

Typ: R-70/100/130/160

Construction year: from 12/2000

Prices valid: from 06/2011

RECK

Agrartechnik

Reck-Technik GmbH & Co. KG

Reckstraße 1-5

88422 Betzenweiler

Telefon +49 73 74 18-82

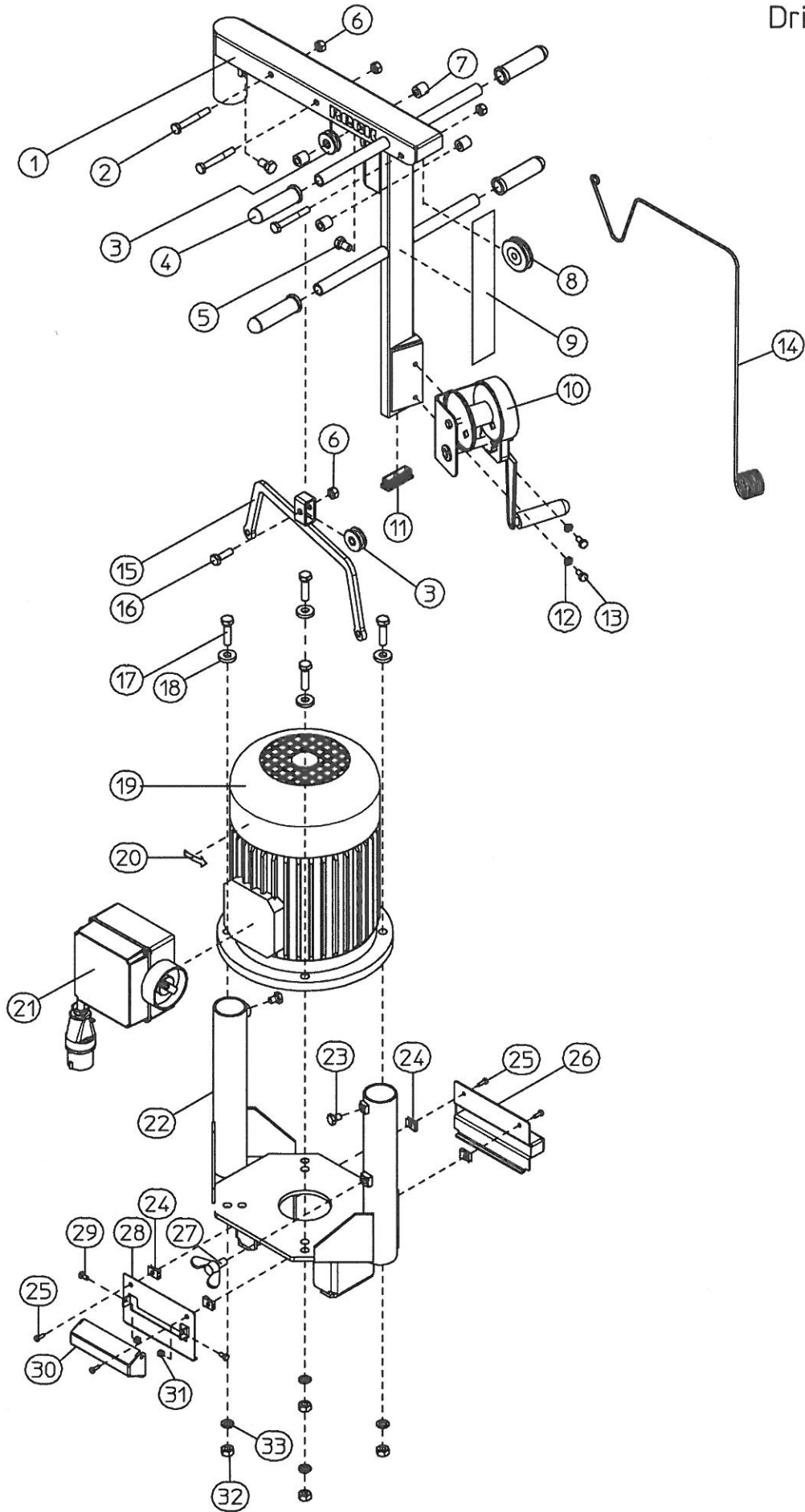
Telefon +49 73 74 18-13

kontakt@reck-agrartechnik.de

www.reck-agrartechnik.de

No.	Designation	Quantity per machine	Sparte part number
36	Rigid base frame 1,45m	1	100.000.422
	Rigid base frame 1,75m		100.000.423
	Rigid base frame 2,05m		100.000.424
	Rigid base frame 2,35m		100.000.425
	Rigid base frame for folding sword 1,60m		100.000.426
	Rigid base frame for folding sword 1,90m		100.000.427
	Rigid base frame for folding sword 2,20m		100.000.428
	Rigid base frame for folding sword 2,50m		100.000.429
37	Hexagon bolt DIN 933 - M12x25, galvanized	4	100.000.318
38	Full floating axle	2	100.000.279
39	Disc DIN 125 - 21, galvanized	4	100.000.430
40	Solid rubber wheel Ø200; 65mm wide	4	100.000.278
41	Threaded pin DIN 915 - M6x12 - V2A	4	100.000.431
42	Wheel circlip	4	100.000.277
43	Full floating axle with footrest, left side	1	100.000.280
44	Full floating axle with footrest, right side	1	100.000.283
45	Guide tube for swing device, left, 1,50m	1	100.000.368
	Guide tube for swing device, left, 1,80m		100.000.370
	Guide tube for swing device, left, 2,10m		100.000.372
	Guide tube for swing device, left, 2,40m		100.000.389
	Guide tube for swing device and folding sword, left, 1,65m		100.000.391
	Guide tube for swing device and folding sword, left, 1,95m		100.000.393
	Guide tube for swing device and folding sword, left, 2,25m		100.000.395
	Guide tube for swing device and folding sword, left, 2,55m		100.000.397
46	Guide tube for swing device, right, 1,50m	1	100.000.369
	Guide tube for swing device, right, 1,80m		100.000.371
	Guide tube for swing device, right, 2,10m		100.000.373
	Guide tube for swing device, right, 2,40m		100.000.390
	Guide tube for swing device with folding sword, right, 1,65m		100.000.392
	Guide tube for swing device with folding sword, right, 1,95m		100.000.394
	Guide tube for swing device with folding sword, right, 2,25m		100.000.396
	Guide tube for swing device with folding sword, right, 2,55m		100.000.398
47	Hexagon bolt DIN 985 - M12, galvanized	2	100.000.362
48	Plastic plug GL 48x3-4, black	2	100.000.432
49	Hexagon bolt DIN 931 - M12x80, galvanized	1	100.000.433
50	Hexagon bolt DIN 931 - M12x90, galvanized	1	100.000.434
51	Hexagon bolt DIN 933 - M10x40, galvanized	2	100.000.435
52	Hexagon nut DIN 936 - M10, galvanized	4	100.000.345
53	Chassis swivelling	1	100.000.436
54	Hexagon bolt DIN 933 - M12x40, galvanized	1	100.000.221
55	Disc DIN 9021 - A13, galvanized	1	100.000.437
56	Nirosta detent pin Ø8 with counter nut	1	100.000.282
57	T-handle with threaded pin M 12x24	1	100.000.274

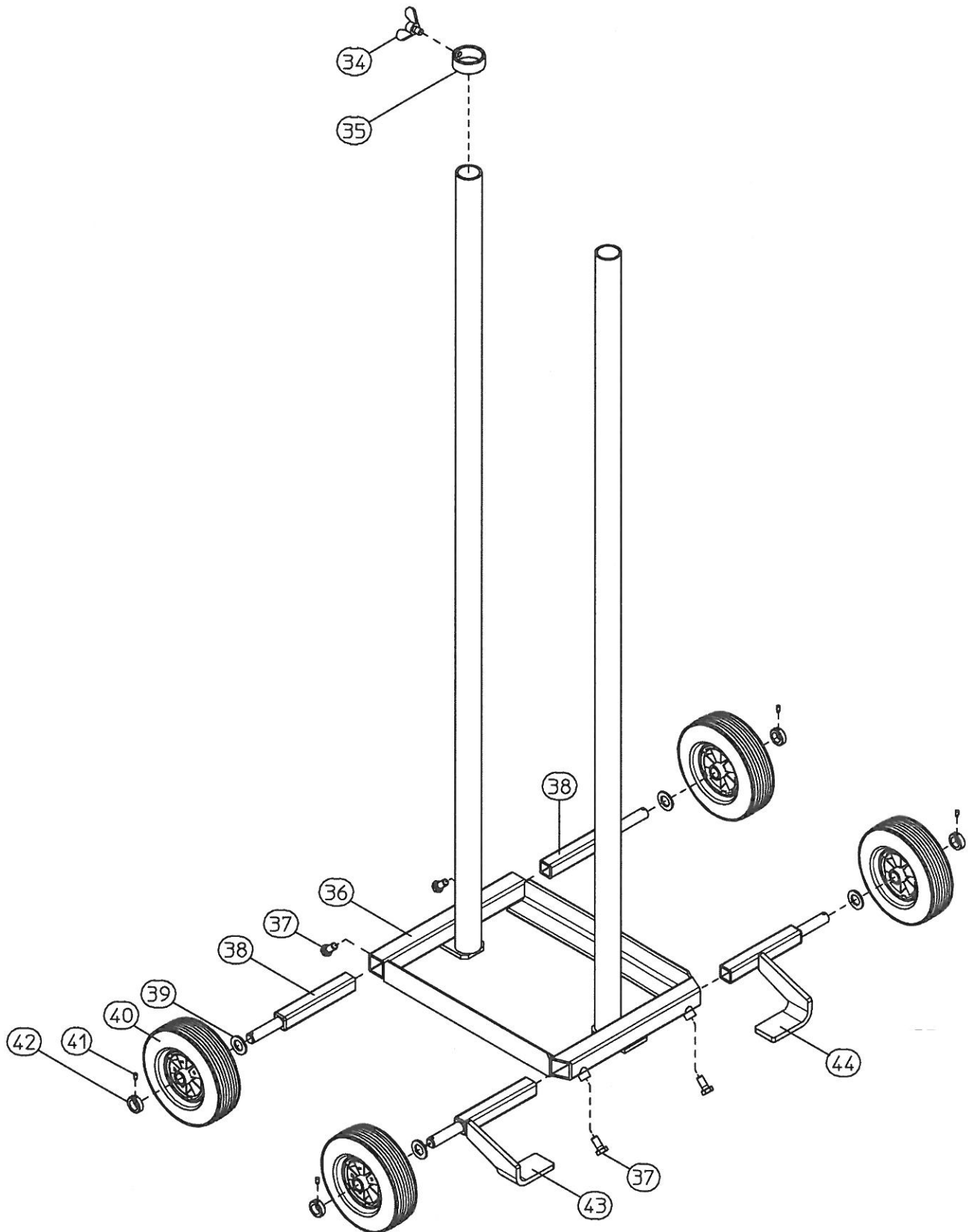
Drive unit



251.5/W 45d II EN - 03/11 fetT **RECK**

Technik GmbH & Co. KG D-88422 Betzenweiler Tel. +49 7374/1882 Fax 1813

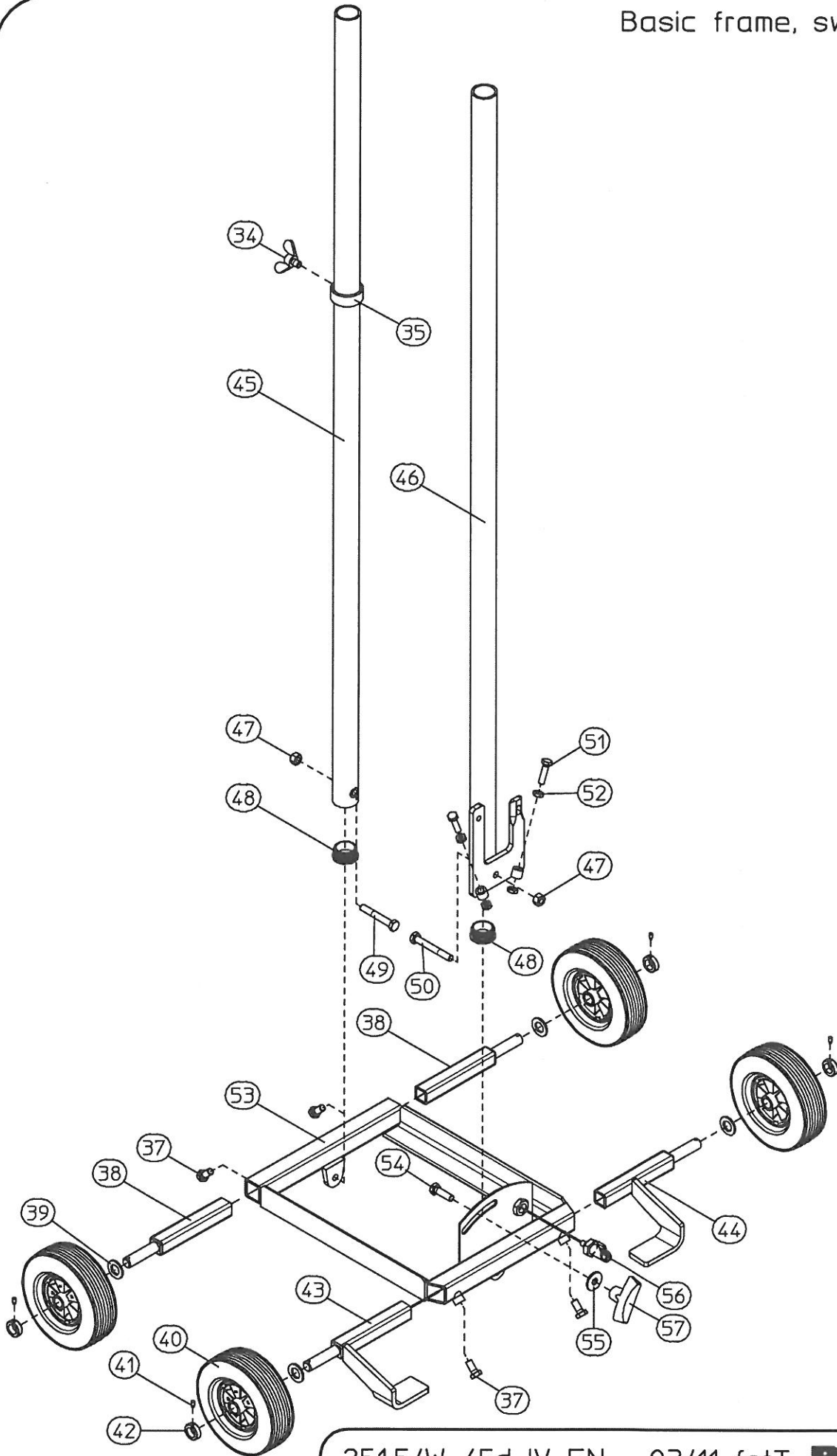
Basic frame, rigid



251.4/W 75e III EN - 03/11 fetT **RECK**

Technik GmbH & Co. KG D-88422 Belzenweiler Tel. +49 7374/1882 Fax 1813

Basic frame, swivelling



251.5/W 45d IV EN - 03/11 fetT **RECK**
Technik GmbH & Co. KG D-88422 Betzenweiler Tel. +49 7374/1882 Fax 1813